



ENGINEERING LTD

Main West Road
Sheffield 7500
Canterbury
New Zealand

Ph: 0064 (0) 3 3183824

email: sales@taege.com

www.taege.com

Bulletin Number	DD00011	Date:21/07/2020	21/07/2020
-----------------	---------	-----------------	------------

Bulletin For:	DD9231.000 Kit Replacement Wheel Encoder for DD9232.000		
Taege Machinery Application	All Taege Trailing, AirSeeders or Tyre Rollers with encoder jockey wheel.		
Description	Waterproof electronic encoder used to replace existing wheel encoders. It provides the input signal for determining ground speed.		
Part Number:	DD9232.000	Price:	

FITTING INSTRUCTIONS

IMAGES

1. Remove the cover plate from the axle assembly. Holding the nylon drive rod with a screwdriver undo the locating locknut on the wheel hub cover. Using the screwdriver, screw the driver rod through the wheel hub cover or later models an allen key or grub screws. This action should force the damaged encoder from its located position or enable the encoder to be withdrawn from the rear of the axle. Attach a string or wire to the failed wheel encoder cable after removing the black or green plug.

Draw the encoder wires from the axle leg, making sure that the draw wire or string is attached.

2. Attach replacement encoder cable to the draw wire, draw the cable to the motor housing or PB1 box on later models. Assemble the drive rod to the new encoder and re-assemble.

No force should be used during this procedure. Make sure that the peg on the encoder adapter is located. On early models this peg may need to be removed. Attach the sponge rubber provided between the encoder back and the cover plate as you re-assemble.

3. Wiring

BROWN = +vdc

Blue + black = -vdc

BARE = signal

4. Connection

Using the green plug supplied connect to the green wheel plug position on the I/o board

BLUE+black= outside position -vdc (7vdc - 17vdc)

Bare to the centre position

BROWN = inside position +vdc (5vdc - 15vdc)

IMPORTANT

5. Wheel Distance Pulses

The replacement DD9231.000 encoder counts 1000 per revolution not 1024.

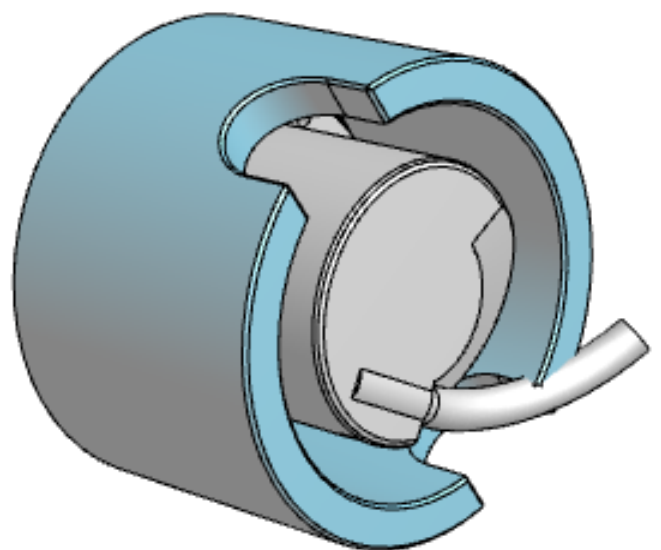
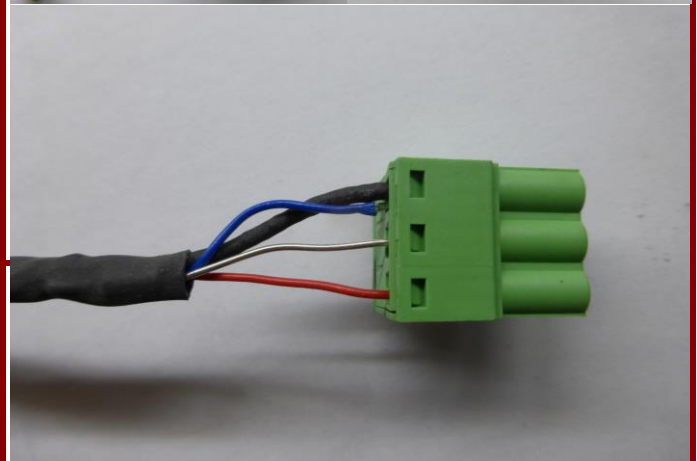
Change the controller configuration setting by dividing by 1024 and multiply by 1000.

(e.g. 44600 becomes 43555)

RC350 Controller, Reset min/kph to .3 kph(Speed)

FOOTNOTE

Encoder is not direction sensitive.



Adapter for encoded jockey wheel. Order separately