

	Part Number	Old Part Number	Description	
	DD2400.000	DD4000.000	GEARBOX COMPLETE	See Fig 1.
1	DD2410.000	DD4001.000	GEARBOX OUTER BLOCK	
3	DD2425.000	DD4004.000	GEAR SMALL	
4	DD2420.000	DD4003.000	GEAR LARGE	
5	DD2415.000	DD4002.000	GEARBOX INNER BLOCK	
6	DD2430.000	DD4005.000	SHAFT LONG	



6a	DD2425.000	DD4006.000	SHAFT SHORT	
7	DD2450.000	DD4007.000	SPONGE BAR Block	1
8	DD2460.000	DD4008.000	Sponge bar spring stop	2
9	DD2465.000	DD4009.000	SPONGE BAR SPRING	2
10			702037Edl Shim washer(not shown)	
11	DD2445.000	DD4011.000	Circlips (20MM X1.2MM External SS T304	2
15	DD2340.300	DD4015.000	SPONGE BAR S/S 3.0m	2
15	DD2340.360	DD4015.010	SPONGE BAR S/S 3.6m	
16	DD2342.000	DD4016.000	SPONGEBAR COLLAR	2
17	DD2345.000	DD4017.000	Sponge bar roll pin M8x50mm Wavy Roll Pin SS	4
18	DD4018.000	DD4018.000	BOLT	2
19	1WS06Z		M6 Washer zinc	2
20	DD2465.000	DD4020.000	Support end outer steel plate	1
21	DD2325.000	DD4021.000	NYLON Insert	A/R
22	DD2310.000	DD4022.000	STD SPONGE WITH INSERT 55X75MM	A/R
22	DD2320.000	DD4022.010	SPONGE ONLY 52mm x 72mm	A/R
22	DD2312.000	DD4022.100	PEA SPONGE with insert 45X75MM	A/R
23	1GSS05		ALLEN SCREW	A/R
24	DD2360.000	DD4024.000	SPONGE BAR NYLON "W"CLIP	3
25	DD2608.000	DD4025.000	MOTOR SPROCKET 10T	1
25	DD2507.001	DD4025.001	MOTOR SPROCKET 10T + 16T	
26	DD2520.000	DD4026.000	DRIVEN SPROCKET 30T	1
26	DD4026.101		DRIVEN SPROCKET 57T	1
26	DD4026.102		DRIVEN SPROCKET 90T	1
27	DD2513.000	DD4027.000	RUBBER ISOLATOR	
	DD2525.000	DD4025.010	4mm key steel	Not shown
28	DD2506.000	DD4028.000	Front Mounting Plate (Horizontal)	A/S
28	DD2506.001	DD4028.001	Rear Mounting Plate	1
28	DD4028.000	DD4028.010	Rear Mounting Plate	1
28	DD2605.000	DD4029.200	M4 Motor complete with I/o + encoder	
29	DD2605.00R	DD4029.002	158a RH MOTOR GEARBOX UNIT	A/S
29	DD2605.00L	DD4029.102	158b LH MOTOR GEARBOX UNIT	A/S
30	DD2530.000	DD4030.000	DRIVE CHAIN ½ PITCH	1
N/S	DD2531.000	DD4030.050	CONNECTOR LINK	
N/S	DD2532.000	DD4030.051	HALF LINK	
31		DD4031.000	See DD4031.001	1
31	DD2550.000	DD4031.001	CHAIN GUARD F/GLASS from September 2010	1
32	DD4028.100		MOTOR MOUNT COMPLETE ASSEMBLY	1
33	DD2350.000	DD4033.000	SPONGE BAR NYLON "T"CLIP	A/R
38	DD2540.000	DD4039.000	CHAIN TENSIONER NYLON	1
43	DD4032.000		3.0m SPONGE PROTECTORS 2pcs	1 not shown
43	DD4032.100		3.6m SPONGE PROTECTORS 2pcs	1 not shown
45	DD2300.300		3.0m SPONGEBAR COMPLETE	
46	DD2300.360		3.6m SPONGEBAR COMPLETE	

Figure 1. DD4000.000 Complete gearbox

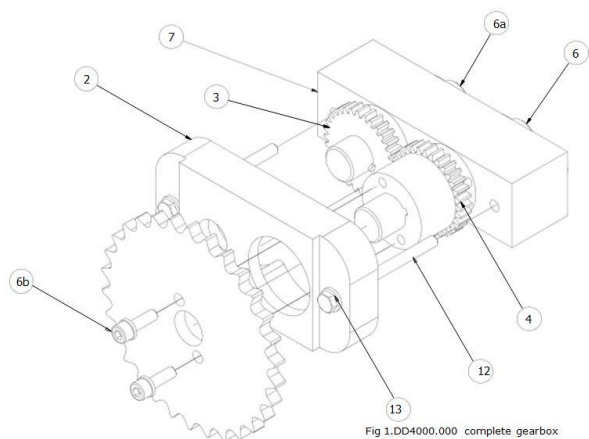


Figure 2. Sponge bar assembly.

