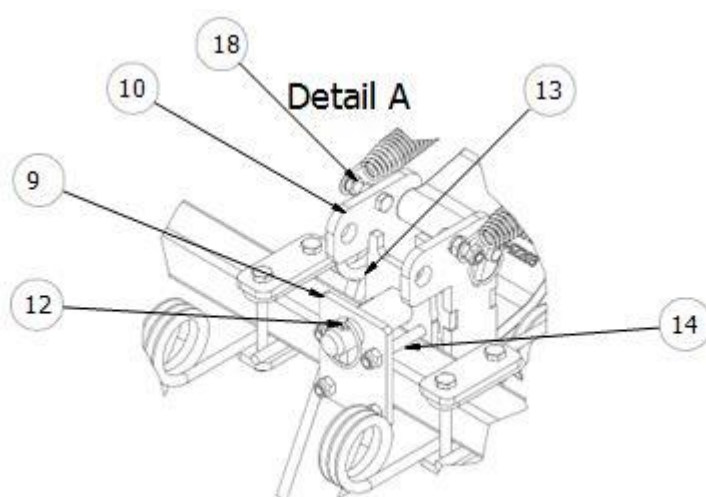


	Part Number	Description	Number Used
	HR1000.300	DH7018.000 3.0m Taege Tyne Harrows Complete Set	
	HR1000.360	DH7019.000 3.6m Taege Tyne Harrows Complete Set	
2	HR1880.000	DH7002.000 Mounting Plate (2 Hole for 10mm Harrows)	As required
1	HR1850.000	DH7001.001 10mm Harrow Finger (Lower)	As required
2	HR1980.000	DH7002.100 Mounting Plate (2 Hole for 12mm Harrows)	As required
3	HR1200.000	DH7003.000 Cast parallel Bar Upper Without Depth Bolt (each)	As required
3	HR1205.000	DH7003.100 Cast parallel Bar Upper with Depth Bolt (each)	As required
5	HR1100.000	DH7005.000 Uni Drill Harrow Bracket Assy	As required



5	HR1150.000	DH7005.11	Rear drawbar Harrow bracket	As required
6	HR1710.300	DH7006.000	3.0m Taege Tyne Harrow Bar 50 x 50 RHS (1 side)	2
6	HR1710.360	DH7006.100	3.6m Taege Tyne Harrow Bar 50 x 50 RHS (1 side)	2
6		DV7006.000	Vineyard Harrow Bar	
7	HR1800.000	DH7007.000	10mm Harrow finger Upper	2
7	HR1900.000	DH7007.100	12mm Harrow finger Upper	As required
8	HR1705.000	DH7008.000	Plastic end cap 50x50mm Sq	2



Detail A		DH7000.001	Hinge/Pivot Complete	As required
09	HR1415.000	HR1451.000	Female Pivot Harrow	As required
10	HR1400.000	DH7009.100	Male Pivot Bracket	
	HR1500.000	DH7010.000	Female Pivot mounting bracket	As required
11	HR1210.000	DH7004.000	Cast steel bar bolt	2
16	HR1050.000	DH7016.000	Duncan Mk3 fitting kit	Not shown



17	HR1300.000	DH7017.000	Harrows Spring 10"	2
18		HR1210.000	M16x120 Bolt galv	A/R
18		1NNM16	M16 Nyloc nut	A/R
18		1WS16G	M16 Spring washer galv	A/R

Note

